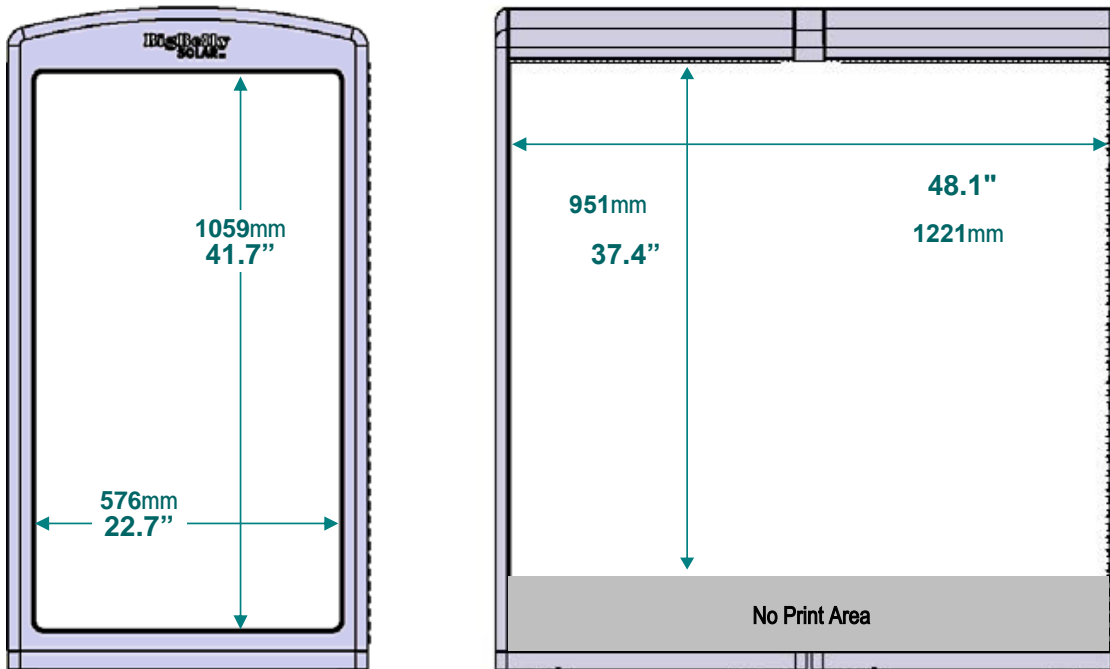


Wrap Decal Specifications

Bigbelly® 5 and Smartbelly® 5: Art Submission Requirements



Artwork Uploading Instructions

- ▶ Please provide artwork to **Vincent Printing** according to the art specification sheet on the following page.

Artwork Submission Deadlines

- ▶ Artwork should be submitted at least 3 weeks prior to posting.

Proofs

- ▶ Each Epson proof will incur an additional \$25 charge. Each actual product proof will incur an additional \$50 charge. There is no charge for digital proofs.

ART SPECIFICATIONS

1512 SHOLAR AVENUE
CHATTANOOGA, TN 37406

o: 800.251.7262
f: 423.697.0810
w: vincentprinting.com

VINCENT



UPLOADS

To upload your print-ready digital files please visit vincentprinting.com and click the "Send Art" button

SIZING

Please provide all files for outdoor production in "CMYK," scaled to 1" = 1' [1/12th scale] at 300 dpi with bleed. P-O-P and Transit need to be supplied 1/4 scale at 300 dpi

Please provide a bleed of 2" on all sides.

SUPPORTED PROGRAMS

Adobe CC or lower

Corel Draw files will incur art preparation charges

Sorry, no other file formats will be accepted

SUPPORTED FILE FORMATS

Native files, print ready pdf, ai, eps, psd, tiff, jpg

COLOR SETTINGS

North American Prepress 2

FILE PREPARATION

Please package all jobs; include as much bleed as possible when applicable, and make sure all placed images are 300 dpi or better in CMYK

For your convenience we have produced InDesign, Illustrator and Photoshop templates to help you with your designs. Please ask your Customer Service Representative for details. If you have any questions, please do not hesitate to call us at 800.251.7262 x. 211 and ask for Vicki Cylvick.